

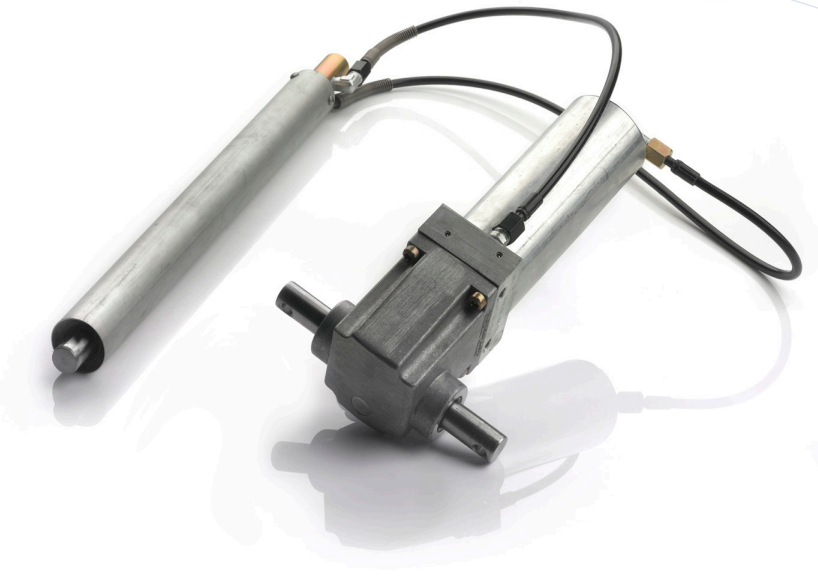
POWER-PACKER®

Power-Packer Europa B.V. is your experienced partner when it comes to motion control systems for medical applications. We are an OEM supplier to leading manufacturers of hospital beds, physiotherapy tables, patient trolleys, treatment tables, shower chairs, operating tables and scanner tables. Power-Packer offers a complete range of manual-hydraulic and electro-hydraulic actuators for all your applications involving precise motion in clean environments. For more than 30 years our hydraulic systems have proven their quality in the medical industry. Power-Packer's broad knowhow and continuous search for innovation in motion control systems guarantees you to PROGRESS IN MOTION!



CENTROMOTION™

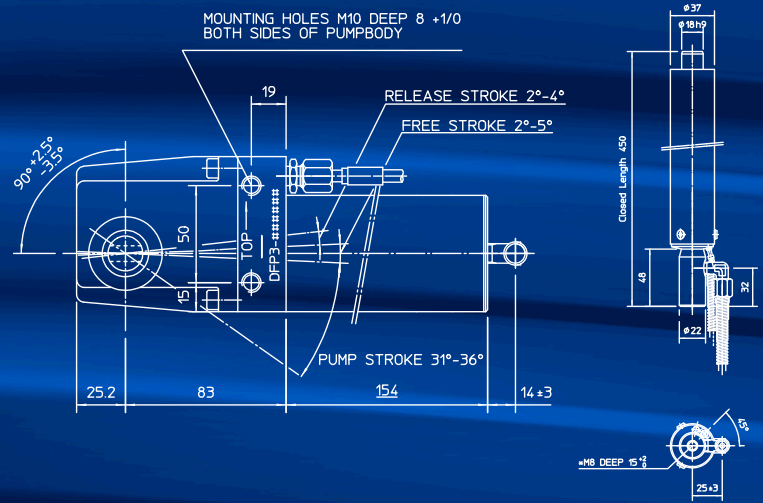




Main parameters of value:

- Reduced total cost of ownership
- Proven high quality, product built for long life
- Compact design
- Quiet and smooth operation
- Maintenance-free
- Ease of installation
- Application design flexibility
- Operating comfort

- The DMI is a reliable hydraulic actuator set for every application where our self-contained units cannot solve your problem. Pump, cylinder, couplers and hoses are combined into one, compact, maintenance-free unit.
- Pump and cylinder are connected through hoses. The set is delivered fully assembled and tested. The DMI is ideal for applications with limited space.
- Every DMI comes with a pressure relief valve and a flow control valve to ensure smooth descent. The DMI is easy to install and is built for long life.



SPECIFICATIONS

Stroke lengths:	Multiple possibilities between 165 and 250 mm
Maximum dynamic push force:	6 kN
Descent control:	Flow control valve
Pressure relief valve:	Installed
Single acting cylinder	



POWER-PACKER

Power-Packer Europa B.V.

Edisonstraat 2
 7575 AT Oldenzaal - The Netherlands
 P.O. Box 327
 7570 AH Oldenzaal - The Netherlands
 T: +31 541 584 500
 F: +31 541 584 693
 E: sales@power-packer.nl
 I: www.power-packer.com