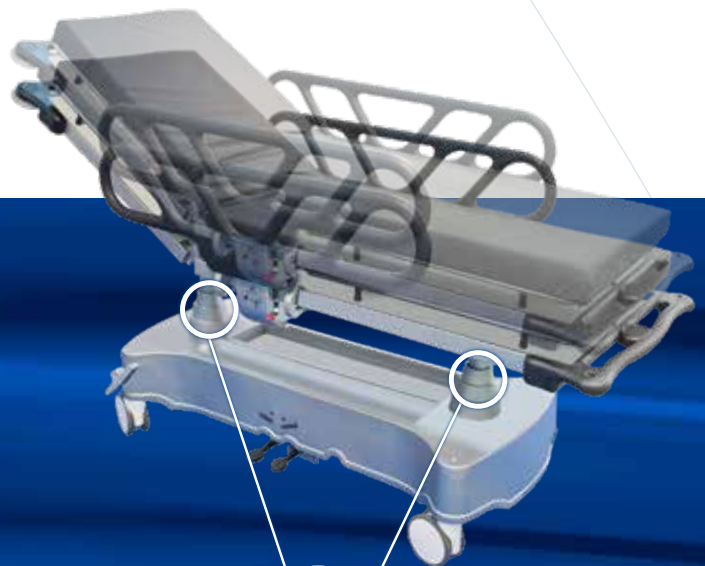




POWER-PACKER®

Power-Packer is an industry leader in innovative, high-quality motion control solutions for medical applications. At Power-Packer, we understand your critical needs and offer innovative, long-lasting, easy-to-use, hydraulic solutions for patient handling, whether electrical power is available or not.

Medical equipment OEM's around the globe trust Power-Packer actuation systems in their hospital beds, stretchers, patient lifts, treatment tables, emergency trolleys, operating tables, scanner tables, imaging equipment and more. Power-Packer's broad knowhow and continuous search for innovation guarantees you PROGRESS IN MOTION!



AN
Actuant
COMPANY

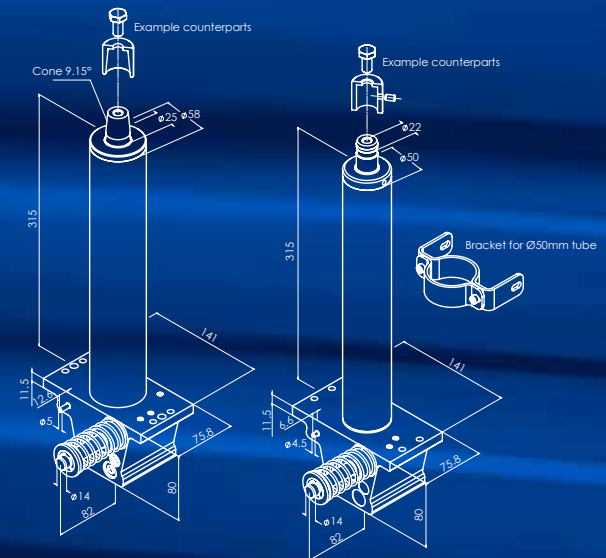




Benefits:

- Proven high quality, product built for long life
- Quiet, smooth operation
- Easy to install
- Reduces overall equipment maintenance and cost-of-ownership for end-users
- Enhanced performance and operating comfort
 - High load forces and stability, optimum technology for bariatric needs
 - Overload protection integrated during pumping
 - Load-independent regulated descent speed
 - Robust integrated guidance, no additional support mechanism is needed
- Requires no external source of power

Patient comfort and safety are critical during transport. And medical personnel rely upon equipment that performs flawlessly every time. Power Packer's Stretcher Actuator is a reliable, self-contained hydraulic actuator designed for use in stretchers and trolleys, it features built-in guidance to handle high-side loads. This means that no additional actuation or support mechanism is needed in the stretcher or gurney's design, which can lower your overall manufacturing costs. To provide optimal functionality, the pump, cylinder, valves and reservoir are combined into one compact, maintenance-free unit.



SPECIFICATIONS

Typical max. patient weight	250 kg	250 kg	320 kg
Stroke length	280 mm	330 mm	330 mm
Closed length between mounting points	299 mm	349 mm	349 mm
Plunger diameter	22 mm	22 mm	25 mm
Working load	2500 N	2500 N	3200 N
Maximum static torque	290 Nm	290 Nm	470 Nm
Maximum static load	8 kN	8 kN	9.1 kN
Pumpstrokes till extended length	17	21	21
Descent time	3 - 7 sec	4 - 8 sec	4 - 8 sec

POWER-PACKER

Power-Packer

Edisonstraat 2

7575 AT Oldenzaal - The Netherlands

P.O. Box 327

7570 AH Oldenzaal - The Netherlands

T: +31 541 584 500

F: +31 541 584 693

E: marketing@power-packer.nl

I: www.power-packer.com

